

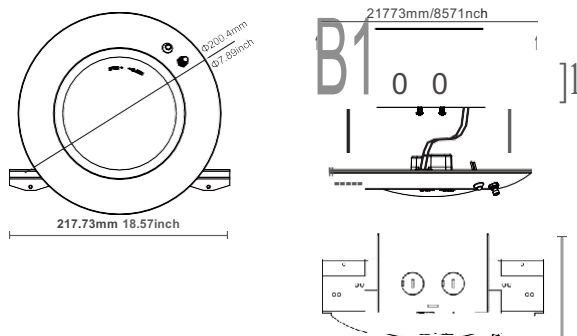
EMERGENCY BATTERY BACKUP FOR 6" ROUND DISC LIGHT



With lithium battery backup module and 6 inch round low profile disc light fixture, this emergency kit offers over 90 minutes lights on when all other power goes out. Battery integrated, with switching time less than 1 second, protection from over-charge and discharge, with self-checking function, can be fully charged in 24 hours, and easily mounted to standard junction boxes. Even has a test button. The EM Disc Light is a great security and general lighting kit for most applications (i.e., kitchens, stairwells, hallways, offices, and bathrooms).

SPECIFICATIONS	PF-LP6-LED-15W-EM-30K
	DETAILS
Nominal Wattage (W)	15 Watts
Lumens Delivered (LM)@2700K	900
Equivalency	75W Incandescent
Efficiency (LM/W)	65LM/W
Beam Angle	120°
CRI	>90
Color Temperature (K)	3000K
L70 Lifetime (Hrs)	>5000 Hours
Voltage	120-277VAC
Dimming	Triac/ELV Dimming 10%-100% at 120VAC Only
Power Factor	>0.9
Housing	Aluminum in White, Black, SL and Oil Rubbed Bronze
Lens	PC
Mounting	Recessed
Operating Temperature	-10°C-50°C / 14°F-122°F
Certificates	cETLus
Environment	Indoor & Outdoor, Wet Location
Warranty	3 Years Limited
Lead Time Fully Charged	24 Hours
Battery Operation Time	>90 Minutes

PRODUCT DIMENSIONS



WIRING

