

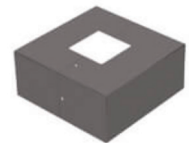
DIRECT BURIAL & SURFACE MOUNT STEEL LIGHT POLES

DESCRIPTION

The Prottofos family of Direct Burial and Surface Mount Light Poles are built from 11-gauge high strength steel tube. Typical area lighting applications include multifamily residential developments, retail centers, industrial parks, schools and universities, office buildings, and medical facilities. Finished in a black or bronze textured powdercoat. Comes with installation accessories and rainproof top cover. Tenons, arm brackets, bullhorns, and other accessories available upon inquiry.



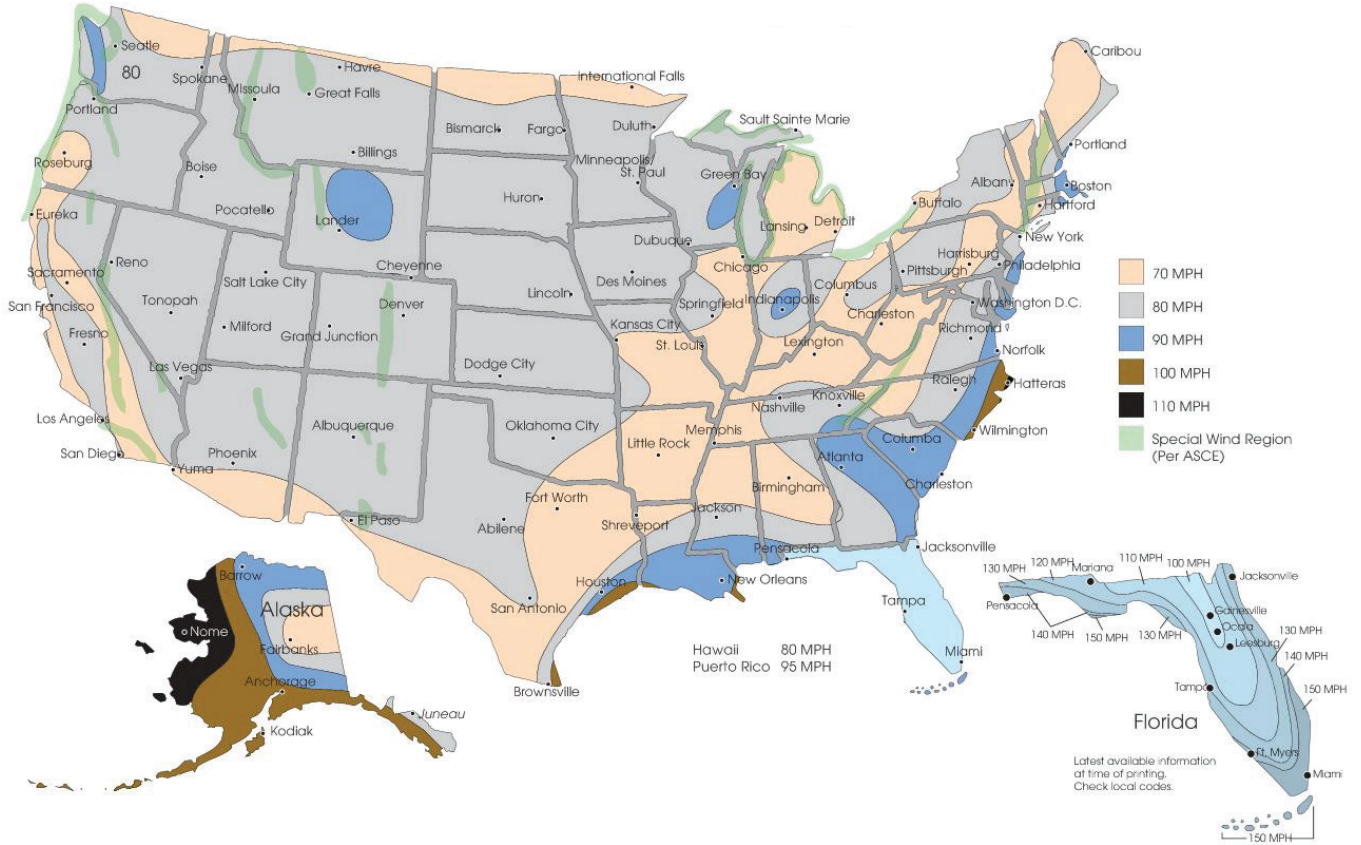
SURFACE MOUNT INCLUDED ACCESSORIES



- Anchor Bolts
- Screw Positioning Plate
- Base Cover



NATIONAL WIND VELOCITY MAP



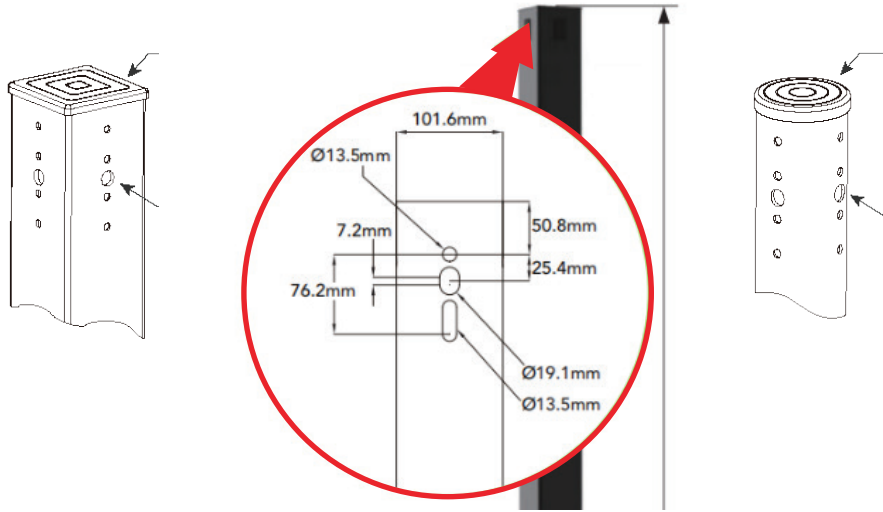
DIMENSIONS

		SKU	HEIGHT	SIZE	WEIGHT (LBS)	SUBSURFACE DEPTH	EPA 70	EPA 80	EPA 90	EPA 100	EPA 110	EPA 120	
Direct Burial	Square	PF-SL-PO10-4SD-BK	10'	4" x 4"	88	3'	25.2	23.5	20.3	19.4	17.3	15.6	
		PF-SL-PO15-4SD-BK	15'	4" x 4"	121	3'	15.2	13.5	11.1	9.5	7.9	6.8	
		PF-SL-PO20-4SD-BK	20'	4" x 4"	167	5'	10.2	9.3	7.5	6.2	4.2	3.6	
	Round	PF-SL-PO25-4SD-BK	25'	4" x 4"	198	5'	8.9	6.9	5.7	4.1	3.6	2.2	
		PF-SL-PO30-5SD-BK	30'	5" x 5"	286	5'	9.6	7.4	6.1	5.8	4.6	3.8	
		PF-SL-PO10-4RD-BK	10'	4" DIA	75	3'	28.2	23.5	20.3	19.4	17.3	15.6	
Surface Mount	Square	PF-SL-PO15-4RD-BK	15'	4" DIA	99	3'	18.5	15.2	13.1	11.5	9.9	7.4	
		PF-SL-PO20-4RD-BK	20'	4" DIA	132	5'	12.2	10.3	8.8	7.2	6.1	4.6	
		PF-SL-PO25-4RD-BK	25'	4" DIA	154	5'	11.9	8.9	7.7	6.1	5.6	4.2	
	Round	PF-SL-PO30-5RD-BK	30'	5" DIA	231	5'	9.6	7.6	6.1	5.8	4.8	3.3	
		PF-SL-PO10-4SA-BK	10'	4" x 4"	76			30.6	23.8	18.9	14.0	10.5	
		PF-SL-PO15-4SA-BK	15'	4" x 4"	113				17.9	13.5	10.3	7.2	6.0
		PF-SL-PO20-4SA-BK	20'	4" x 4"	138				9.6	6.7	4.5	2.5	2.5
		PF-SL-PO25-4SA-BK	25'	4" x 4"	170				4.8	2.6	1.0		
		PF-SL-PO30-5SA-BK	30'	5" x 5"	380				10.7	6.7	3.9	1.0	
		PF-SL-PO15-4RA-BK	15'	4" DIA	95			17.8	14.6	12.3	10.9	8.2	6.4
PF-SL-PO20-4RA-BK	20'	4" DIA	143			11.9	9.1	8.8	6.8	5.5	3.8		
PF-SL-PO25-4RA-BK	25'	4" DIA	176			10.9	7.9	6.7	5.3	4.6	3.1		
PF-SL-PO30-5RA-BK	30'	5" DIA	242			8.5	6.6	5.7	4.2	3.2	2.1		

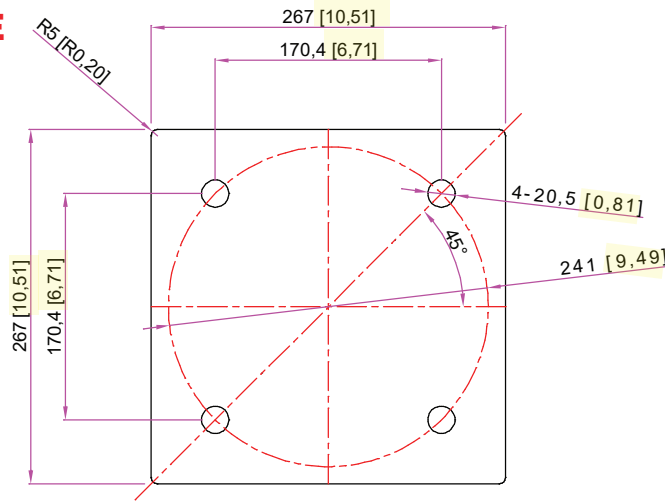
For bronze finish, substitute [-BK] for [-BZ]



PRE-DRILL MOUNT OPTIONS

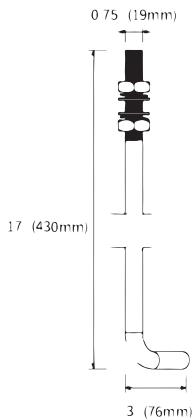


ANCHOR BOLT POSITIONING TEMPLATE

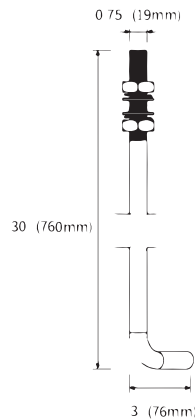


ANCHOR BOLT DIMENSIONS

10'/15'/20' HEIGHT



25' HEIGHT



30' HEIGHT

