



6" LED SURFACE MOUNT DISC LIGHT + EM JBOX

PF-LP6-LED-15W-EM-30K-WH



DESCRIPTION

With a 6" LED Low-Profile Disc Light fixture and EM J-Box kit, this solution offers great security and is an excellent general lighting kit for most applications (i.e., kitchens, stairwells, hallways, offices, and bathrooms).

BATTERY INFORMATION

Integrated battery offers a switching time of less than 1 second, protection of overcharge and discharge, a self-checking function and has a test button.

EM RUNTIME: >90 Minutes

EM RECHARGE: 24 Hours

SPECIFICATIONS

SKU	PF-LP6-LED-15W-EM-30K-WH
FINISH	WHITE
OTHER FINISHES	BLACK, BRUSHED NICKEL, ORB
COLLECTION	LOW-PROFILE
MATERIAL	STEEL J-BOX, ALUMINUM HOUSING
DIFFUSER	POLYCARBONATE

PRIMARY LIGHTING

LIGHT SOURCE	15W LED
LUMENS	1050 LM
VOLTAGE	120 - 277V
COLOR TEMP	3000K
CRI	80

DIMENSIONS

DIAMETER	7.3"
HEIGHT	1.1"
EXTENSION	N/A
BACKPLATE	N/A
WEIGHT	0.3 LBS

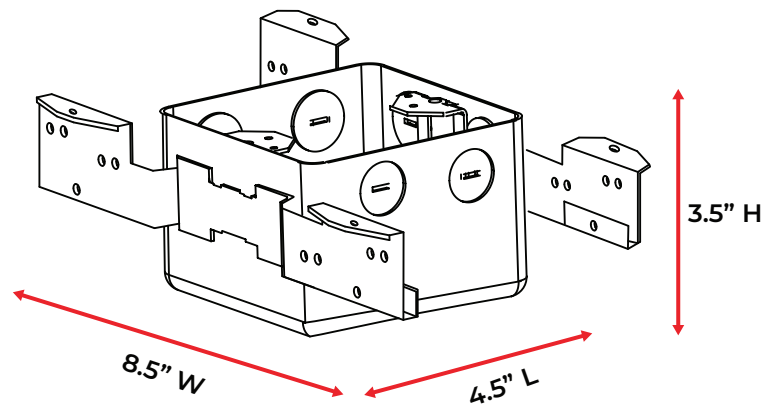
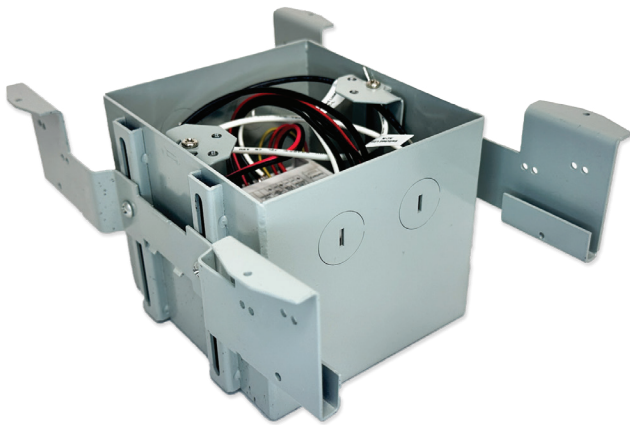


6" LED SURFACE MOUNT EM JBOX & ACCESSORIES

PROTTOFOS
LIGHTING MANUFACTURER

ELECTRICAL JUNCTION BOX

The J-BOX Emergency Battery Backup provides reliable power for LED lighting during outages. Compact and easy to install, it offers up to 90 minutes of backup, ensuring safety and continuity for residential and commercial spaces.



ADDITIONAL ACCESSORIES



1 1/4\" data-bbox="492 716 787 736"/>

Optional extension ring to give more clearance for specialty installation cases.

EXTENSION RING SKU: PF-CL-125-ACER-GY



Prottofos LLC
www.prottofos.com

11350 Old Roswell Rd, Ste 1100, Alpharetta, GA 30009
Information contained here is subject to change without notice