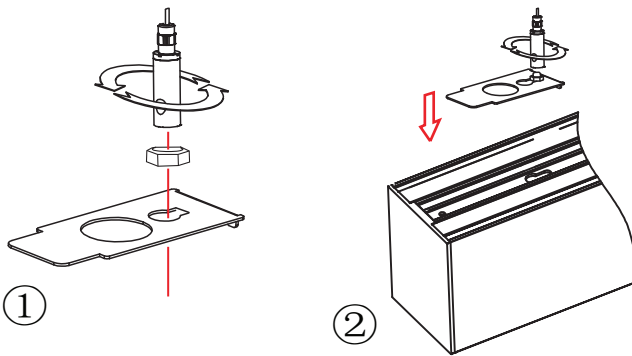


# 2' / 4' / 6' LED LINEAR SURFACE MOUNT

## DESCRIPTION

The Prottofos family of LED Surface Mount lights boasts a sleek, streamlined design, making them ideal for corridors, classrooms, or any high-traffic areas. This modular system offers flexible configuration options, allowing for rows, shapes, or custom patterns.

## ADDITIONAL INFORMATION



## SPECIFICATIONS

SKU	SEE ORDERING INFORMATION
FINISH	WHITE
OTHER FINISHES	CUSTOM
COLLECTION	N/A
MATERIAL	ALUMINUM
DIFFUSER	POLYCARBONATE FROSTED

## PRIMARY LIGHTING

LIGHT SOURCE	2': 20W / 4': 40W / 6': 60W
EFFICACY	110 LM/W
VOLTAGE	120 - 277V
COLOR TEMP	3500K / 4000K / 5000K
CRI	80

## ORDERING INFORMATION

**2' SKU:** PF-SM-2432-20W-WH-DN  
**4' SKU:** PF-SM-4732-40W-WH-DN  
**6' SKU:** PF-SM-7332-60W-WH-DN

## DIMENSIONS

MODEL	2'	4'	6'
LENGTH	24.06"	47.48"	72.50"
WIDTH	2"	2"	2"
HEIGHT	3.15"	3.15"	3.15"
WEIGHT	4.1 LBS	8.2 LBS	12.3 LBS

